



Ditec Facil

EN

Automation with arm for swing gates
with up to 2,3 m single gate

Ditec Facil

Simple and versatile, for swing gates with doors up to 2.3 metres
For heavy duty

Ditec Facil has been designed to be simple to install and easy to connect, being able use many various types of motor it is highly practical.

The ABS guard ensures good resistance against the weather and boasts high quality and elegant finishes, simple and clean lines, and can blend perfectly to any type of entrance.

No problem in case of power failure

The key operated, easily accessible release door is built into the front of the cast aluminium casing **01**.

The Deb 04 device, which is easily operated with a cord, allows the automation to be remotely controlled without opening the door.

Carefully designed with safety in mind

The shape of the articulated arm and its connection to the casing **02** have been designed to avoid any shearing problems.

Ditec Facil is fitted with built in and adjustable open-close mechanical stops.

A limit switch unit can be installed to supply visual indicators or to stop the wing.

Ready and simple to install

Ditec Facil features a built-in electronic panel which can easily be removed, leading to obvious advantages during the installation stage as well as when performing any maintenance on the automation.

After removing the guard, the see-through control panel enclosure can be taken out to reveal the controls.

Accessories

- Key operated handle with 5 m remote release cord
- Limit switch unit
- Internal and external battery for VIVA H control panel
- Straight arm



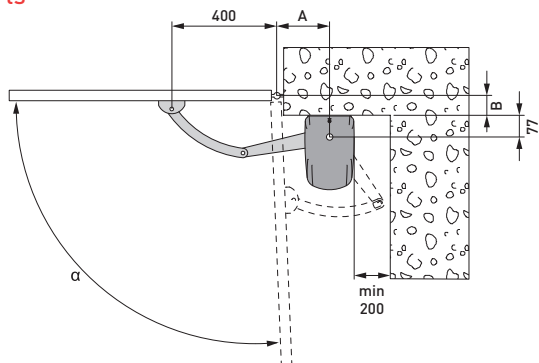
Product range

FACIL3H	up to 2.3 m
FACIL3EH	up to 2.3 m, built-in control panel and radio receiver

Dimensions

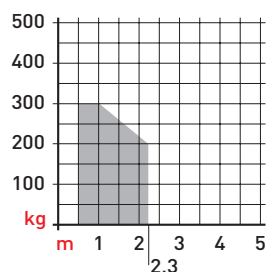


Charts

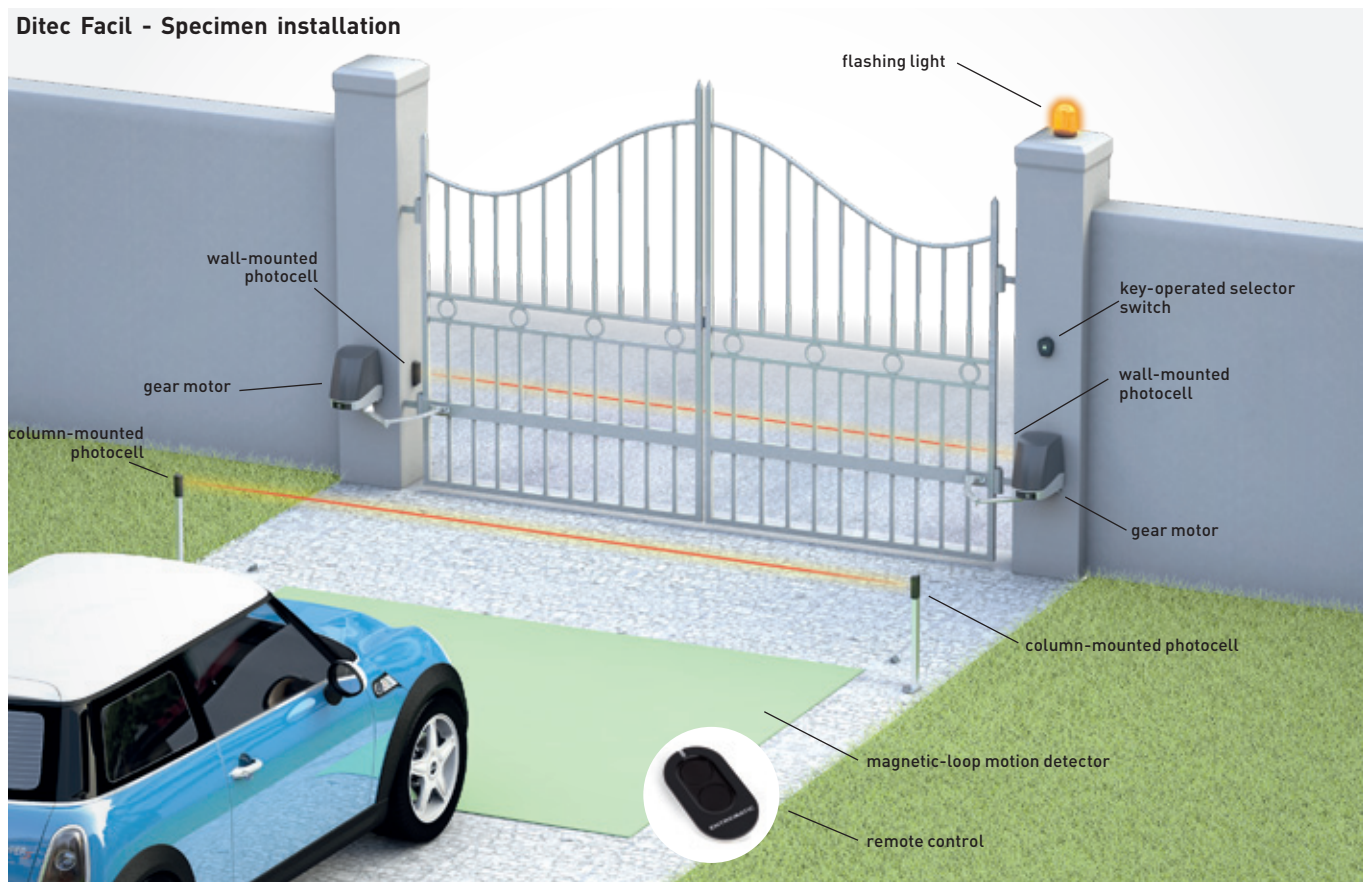


		A (mm)								
		120	130	140	150	160	170	180	190	200
B (mm)	0	90°	90°	95°	95°	100°	100°	105°	105°	110°
	50	90°	90°	95°	95°	95°	95°	95°	95°	95°
	100	90°	90°	90°	90°	90°	90°	90°	90°	/
	150	90°	90°	90°	90°	90°	90°	90°	/	/
	200	90°	90°	90°	90°	90°	/	/	/	/

Operation limits



Example of installation and technical characteristics



Technical specifications

Description	Facil 3EH	Facil 3H
Electromechanical actuator	irreversible for up to 2.3 m wide wing	irreversible for up to 2.3 m wide wing
Stroke control	rotary limit switch (optional)	rotary limit switch (optional)
Maximum capacity	200 kg x 2.3 m 300 kg x 1 m	200 kg x 2.3 m 300 kg x 1 m
Service index	3 - frequent	3 - frequent
Intermittent operation	S2 = 30 min S3 = 50%	S2 = 30 min S3 = 50%
Power absorption	24 V DC	24 V DC
Power input	6 A	6 A
Torque	200 Nm	200 Nm
Opening time	10÷55 s/90°	10÷55 s/90°
Actuator maximum opening	110°	110°
Release system for manual opening	key-operated	key-operated
Operating temperature	-20°C / +55°C [-35°C / +55°C with NIO enabled]	-20°C / +55°C [-35°C / +55°C with NIO enabled]
Protection level	IP 54	IP 54
Product dimensions (mm)	188x285x332	188x285x332
Control panel	LCU30H (built-in)	LCU30H LCU40H

	Facil 3H, Facil 3EH	Facil 3H
TECHNICAL FEATURES		
Control panel	LCU30H for 1 or 2 24 V DC motors with built-in radio	LCU40H for 1 or 2 24 V DC motors with built-in radio
433MHz/868MHz interchangeable receiver module	■	■
Mains power supply	230 V - 50/60 Hz	230 V - 50/60 Hz
Motor power supply	24 V DC / 2 x 6 A	24 V DC / 2 x 12 A
Accessories power supply	24 V DC/0.3 A (0.5 A max.)	24 V DC / 0.5 A
Operating temperature	-20°C / + 55°C in standard conditions / -35°C / +55°C with NIO enabled	-20°C / + 55°C in standard conditions / -35°C / +55°C with NIO enabled
Control panel protection level	IP55	IP55
Control panel dimensions (mm)	187x261x105	238x357x120
INPUTS		
Opening control	Shared with inching control, selected via display	■
Partial opening control	■	■
Close control	Shared with emergency stop, which can be selected from the display	■
Stop control	■ via radio or shared with partial opening control, which can be selected from the display	■
Inching control	■	■
Hold-to-run control	■ selected via display	■
OUTPUT		
Flashing light	24 V DC	24 V DC
Electrically operated lock	12 V DC / 15 W	12 V DC / 15 W
Gate-open warning light (ON/OFF)	■ shared with electrically operated lock or flashing light	■
Gate-open warning light with proportional blink rate	■ shared with electrically operated lock or flashing light	■
Courtesy light	■ shared with electrically operated lock or flashing light	■ shared with electrically operated lock or flashing light
PROGRAMMABLE FUNCTIONS		
Force adjustment	Electronic	Electronic
Speed setting	■	■
Soft Start/Soft Stop	Adjustable	Adjustable
Braking/Slowing down	Adjustable	Adjustable
Stop approach	Adjustable	Adjustable
Operation time	Adjustable	Adjustable
Automatic re-closing time	Adjustable	Adjustable
Integrated datalogging (counters and recent alarm history)	■ can be viewed on display	■ can be viewed on display and on a PC with Amigo SW
Extended datalogging with micro SD (in-depth records for every event)		■ can be viewed on a PC Amigo SW
FW update	■ using DMCS and Amigo SW	■ with micro USB and Amigo SW or MicroSD
SAFETY AND PROTECTION FUNCTIONS		
Emergency stop	■	■
Safe closing (inversion)	■	■
Safety Test Facility (for automatic safety devices)	■	■
ODS – Obstruction Detection System (causes the gate to stop or reverses movement when an obstacle is detected)	■	■
NIO - Antifreeze system	■	■
OPTIONAL ACCESSORIES		
Batteries	■ with SBU	■ with SBU
Possibility of integrated batteries in the control panel		■
Stand-alone solar-power connection	■ with SBU	■ with SBU
Hybrid solar-power connection		■ with SBU
8.2 KΩ-resistance safety edge	■ with accessory	■ with accessory
Magnetic loop detector	■ with LAB9	■ with LAB9



Entrematic Italy S.p.A.

Largo U. Boccioni, 1 · 21040 Origgio (VA) · Italy

Tel +39 02 963911 · Fax: +39 02 9650314

ditec@entrematic.com

www.ditecentrematic.com · www.entrematic.com

Present in: France, Germany, Spain, Turkey and Canada.

For addresses and contact information see our website www.ditecentrematic.com

